

GENERAL NOTES:

1. ALL FASTENERS SHALL BE IN ACCORDANCE WITH THESE DRAWINGS. SPECIFIED ANCHOR EMBED TO BASE MATERIAL SHALL BE BEYOND FINISH OR STUCCO.
2. OPENINGS, BUCKING & BUCKING FASTENERS MUST BE PROPERLY DESIGNED & INSTALLED TO TRANSFER WIND LOADS TO THE STRUCTURE.
3. THESE NON-IMPACT RATED PRODUCT INSTALLATIONS ARE IN ACCORDANCE WITH AND MEET THE REQUIREMENTS OF THE FLORIDA BUILDING CODE (FBC).
4. ALL ANCHORS SECURING PRODUCT FRAMES TO PRESSURE TREATED BUCKS OR WOOD FRAMING SHALL BE CAPABLE OF RESISTING CORROSION CAUSED BY THE PRESSURE TREATING CHEMICALS IN THE WOOD.
5. MATERIALS, INCLUDING BUT NOT LIMITED TO STEEL SCREWS, THAT COME INTO CONTACT WITH OTHER DISSIMILAR MATERIALS SHALL MEET THE REQUIREMENTS OF FLORIDA BUILDING CODE CHAPTER 20.
6. TO THE BEST OF OUR KNOWLEDGE, THE PRODUCT SHOWN HEREIN IS CERTIFIED & QUALITY ASSURED BY A FLORIDA STATE APPROVED CERTIFICATION/QA ENTITY & SHALL BE LABELED IN ACCORDANCE WITH THE FBC AND THE FLORIDA DEPARTMENT OF BUSINESS & PROFESSIONAL REGULATION SPECIFICATIONS. PRODUCT ASSEMBLY IS NOT PART OF THIS DRAWING AND SHALL BE IN ACCORDANCE WITH THE MANUFACTURER'S QUALITY ASSURANCE SPECIFICATIONS & TESTING REPORTS.
7. CERTIFICATION OF THESE PRODUCT INSTALLATIONS SHALL BE CONSIDERED VOID IF ANY OF THE FOLLOWING APPLY: 1) PRODUCT IS INSTALLED WITHOUT A BUILDING PERMIT FROM THE APPLICABLE LOCAL BUILDING DEPARTMENT. 2) PRODUCT IS INSTALLED BY ANYONE OTHER THAN A LICENSED CONTRACTOR EXPERIENCED WITH INSTALLATIONS OF THIS TYPE OF PRODUCT. 3) IF CHANGES HAVE OCCURRED TO THE PRODUCT'S CERTIFICATION ENTITY'S CERTIFICATE THAT CAUSE THESE INSTALLATIONS TO BE INCORRECT OR INCONSISTENT WITH WHAT HAS BEEN TESTED.
8. THE LEAST DESIGN PRESSURE SPECIFIED EITHER IN THIS DRAWING OR IN THE PRODUCTS CERTIFICATION SHALL CONTROL FOR THE INSTALLED PRODUCT.
9. THESE DRAWINGS CERTIFY THE PRODUCT INSTALLATION ONLY. WATER PROOFING OF THE INSTALLED PRODUCT IS NOT PART OF THIS INSTALLATION CERTIFICATION. THAT RESPONSIBILITY SHALL BE THAT OF THE MANUFACTURER &/OR INSTALLER.

INSTALLATION EVALUATION IS BASED ON APPLICABLE ANCHOR STANDARDS AND/OR INFORMATION & RESULTS FROM APPLICABLE TEST REPORTS. THE FLORIDA BUILDING CODE VERSION CONSIDERED WITH THE EVALUATION WAS THAT IN FORCE AT THE TIME OF THE EVALUATION. IN THE EVENT OF CODE VERSION CHANGES/UPDATES OR IN THE EVENT THAT NEW OR ADDITIONAL TESTING IS COMPLETED ON THE REFERENCED PRODUCT, PRIOR TO STATING CODE COMPLIANCE WITH THE STATE, THE MANUFACTURER SHALL CONFIRM WITH THE INSTALLATION EVALUATION ENGINEER OF RECORD THAT THE INSTALLATIONS SPECIFIED HERE-IN ARE CURRENT WITH THE THEN CURRENT TESTING, CODE AND APPLICABLE STANDARDS.

ANCHOR/SUBSTRATE EVALUATION NOTE:

ALL ANCHORS IN THEIR SPECIFIED SUBSTRATES HAVE BEEN ANALYZED IN ACCORDANCE WITH THEIR APPLICABLE STANDARD(S) AND ARE FOUND TO BE CAPABLE OF SUPPORTING ALL LOADS IMPOSED ON THEM UNDER THE GUIDELINES OF THIS DOCUMENT. ANY SUBSTRATES OR CONDITIONS OUTSIDE OF WHAT IS SHOWN HERE-IN SHALL BE SUBJECT TO JOB SPECIFIC ENGINEER'S REVIEW & CERTIFICATION.

INSTALLATION NOTE:
WHEN NECESSARY, INSTALLATION METHODS MAY BE MIXED WITH ANY ONE WINDOW SUCH THAT INDIVIDUAL SIDES OF THE WINDOW MAY USE ONE OR THE OTHER ANCHOR METHOD (EXAMPLE: SILL MAY USE FRAME SCREWS METHOD WHILE OTHER SIDES USE INSTALLATION CLIPS)

FRAME ANCHOR REQUIREMENTS TABLE

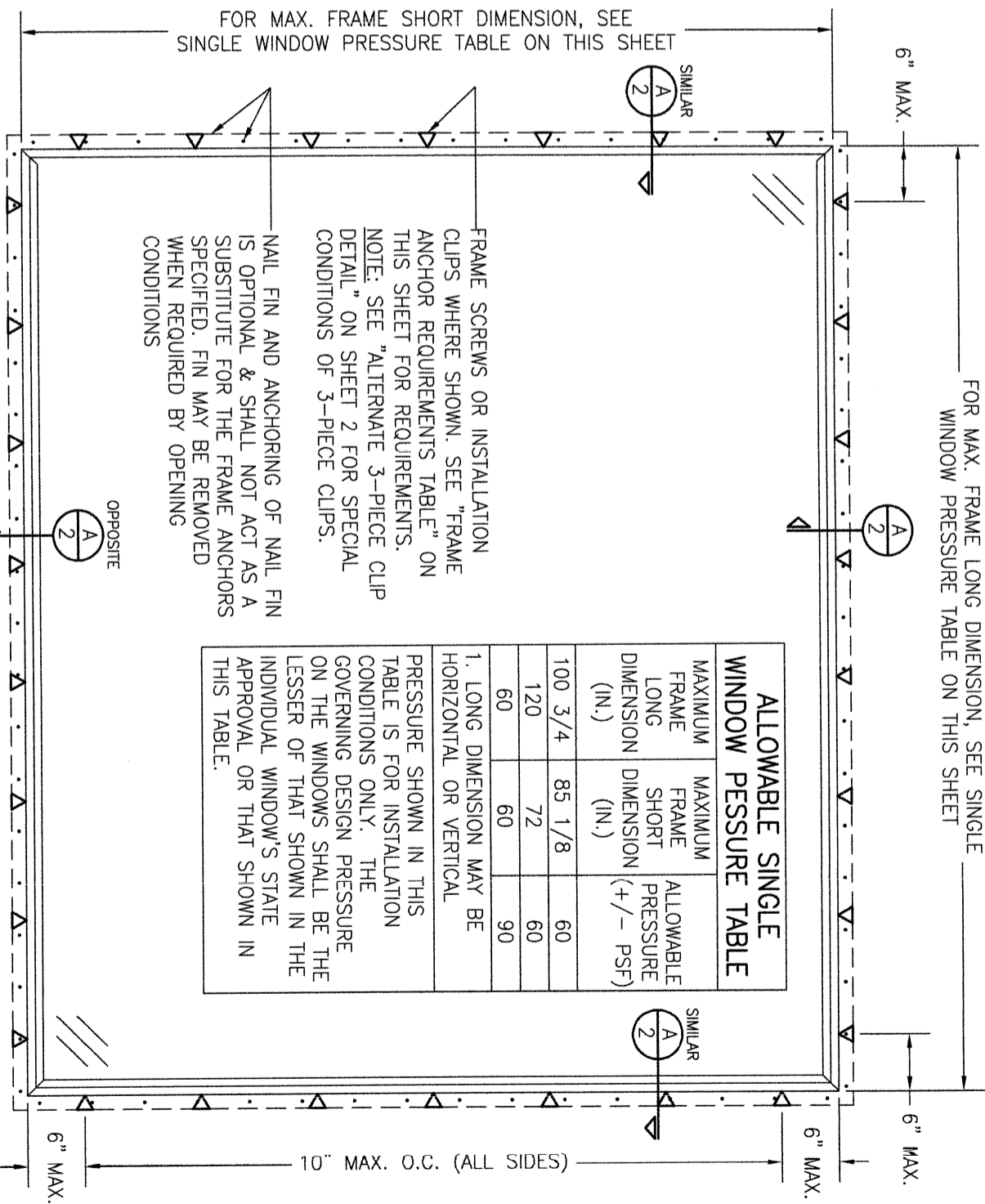
OPENING TYPE (SUBSTRATE)	FRAME/CLIP/NAIL FIN TO OPENING FASTENER TYPE	MINIMUM EMBED	MINIMUM EDGE DIST.
FRAME SCREWS			
MIN. 2X4 WOOD FRAME OR BUCK (MIN. GR. 3 & G=0.55)	NO. 10 SMS OR WOOD SCREW	1 1/4"	3/4"
MIN. 18 GA. 33 KSI METAL STUD	NO. 10 GR. 5 SELF TAP/DRILL SCREW	FULL	1/2"
MIN. 1/8" THK A36 STEEL	NO. 10 GR. 5 SELF TAP/DRILL SCREW	FULL	1/2"
MIN. 1/8" THK 6063-T5 ALUM.	NO. 10 GR. 5 SELF TAP/DRILL SCREW	FULL	1/2"
C-90 CMU/2500 PSI CONCRETE	(1) 1/4" CONCRETE SCREW	1 1/4"	2"
(2) INSTALLATION CLIP SCREWS (BENT & 3-PIECE CLIPS)			
MIN. 2X4 WOOD FRAME OR BUCK (MIN. GR. 3 & G=0.55)	NO. 8 X 1 1/2" SMS	1 3/8"	(2) N/A
MIN. 1/8" THK A36 STEEL	NO. 8 GR. 5 SELF TAP/DRILL SCREW	FULL	(2) N/A
MIN. 1/8" THK 6063-T5 ALUM.	NO. 8 GR. 5 SELF TAP/DRILL SCREW	FULL	(2) N/A
INSTALLATION CLIP SCREWS (STRAIGHT CLIPS)			
MIN. 2X6 WOOD FRAME OR BUCK (MIN. GR. 3 & G=0.55)	NO. 8 X 1 1/2" SMS	1 3/8"	3/4"
MIN. 18 GA. 33 KSI METAL STUD	NO. 8 GR. 5 SELF TAP/DRILL SCREW	FULL	1/2"
MIN. 1/8" THK A36 STEEL	NO. 8 GR. 5 SELF TAP/DRILL SCREW	FULL	1/2"
MIN. 1/8" THK 6063-T5 ALUM.	NO. 8 GR. 5 SELF TAP/DRILL SCREW	FULL	1/2"

- (1) CONCRETE SCREWS SHALL BE ELCO ULTRACONS (C.S.), ELCO CRETE-FLEX (S.S.), ITW RAMSET/RED HEAD TAPCONS (C.S. OR S.S.) OR HILTI KWIK-CON II (C.S. OR S.S.).
- (2) STANDARD BENT CLIP INSTALLATION SCREWS SHALL BE POSITIONED WITHIN 1/4" OF THE BUCK/SUBSTRATE EDGE AND, IF INTO WOOD, ANGLED 20 TO 30 DEGREES INTO THE BUCK.

THESE DRAWINGS ARE APPLICABLE ONLY TO THE PRODUCT SPECIFIED. THEY MAY NOT BE USED FOR THE ASSEMBLY AND/OR INSTALLATION OF ANY OTHER PRODUCT NOR MAY THEY BE USED FOR RATIONAL AND/OR LOCAL APPROVAL OF ANY PRODUCT NOT PRODUCED BY THE MANUFACTURER STATED ON THESE DRAWINGS.

NO.	REVISION DESCRIPTION	BY	DATE
A1	UPDATE PER NEW TESTING	W.R.M.	04/08/11
B1	UPDATE PER NEW TESTING	W.R.M.	10/31/11
C1	UPDATE TO CURRENT STANDARDS	W.W.S.	01/13/15
D1	UPDATE FRAME PROFILES	W.W.S.	09/02/16
E1	ADDED NEW INSTALL CLIP OPTION	W.W.S.	06/05/24

FOR MAX. FRAME LONG DIMENSION, SEE SINGLE WINDOW PRESSURE TABLE ON THIS SHEET



ALLOWABLE SINGLE WINDOW PRESSURE TABLE

MAXIMUM FRAME LONG DIMENSION (IN.)	MAXIMUM FRAME SHORT DIMENSION (IN.)	ALLOWABLE PRESSURE (+/- PSF)
100	3/4	85
120	1/8	72
60	60	60

1. LONG DIMENSION MAY BE HORIZONTAL OR VERTICAL

PRESSURE SHOWN IN THIS TABLE IS FOR INSTALLATION CONDITIONS ONLY. THE GOVERNING DESIGN PRESSURE ON THE WINDOWS SHALL BE THE LESSER OF THAT SHOWN IN THE INDIVIDUAL WINDOW'S STATE APPROVAL OR THAT SHOWN IN THIS TABLE.

FRAME SCREWS OR INSTALLATION CLIPS WHERE SHOWN. SEE "FRAME ANCHOR REQUIREMENTS TABLE" ON THIS SHEET FOR REQUIREMENTS. NOTE: SEE "ALTERNATE 3-PIECE CLIP DETAIL" ON SHEET 2 FOR SPECIAL CONDITIONS OF 3-PIECE CLIPS.

NAIL FIN AND ANCHORING OF NAIL FIN IS OPTIONAL & SHALL NOT ACT AS A SUBSTITUTE FOR THE FRAME ANCHORS SPECIFIED. FIN MAY BE REMOVED WHEN REQUIRED BY OPENING CONDITIONS

EXTERIOR ELEVATION: SINGLE WINDOW

SCALE: 3/4" = 1'-0"

(RECTANGULAR WINDOW SHOWN, SHAPED WINDOWS ALSO APPLY.)

RECTANGULAR WINDOWS SHOWN. ANCHORING OF SHAPED WINDOWS IS THE SAME WITH REQUIRED ANCHOR SPACING ALONG THE FRAME CIRCUMFERENCE BEING THE SAME AS SPECIFIED FOR A STRAIGHT FRAME.

EDGE DISTANCE MAY BE DECREASED TO 1/2" IF SCREWS ARE ANGLED 15 TO 20 DEGREES AWAY FROM THE EDGE.

CERTIFICATION

WARREN W. SCHAEFER, P.E.
P.E. NO. 44135

DRAWING TITLE

PELLA NON-IMPACT ALUMINUM CLAD WOOD FIXED FRAME WINDOW (ADVANCED PERFORMANCE INSTALLATION)

CONSULTANTS

W. W. SCHAEFER ENGINEERING & CONSULTING, P.A.

25601 AYSEN DRIVE
PUNTA GORDA, FL 33983
PHONE: 561-744-3424

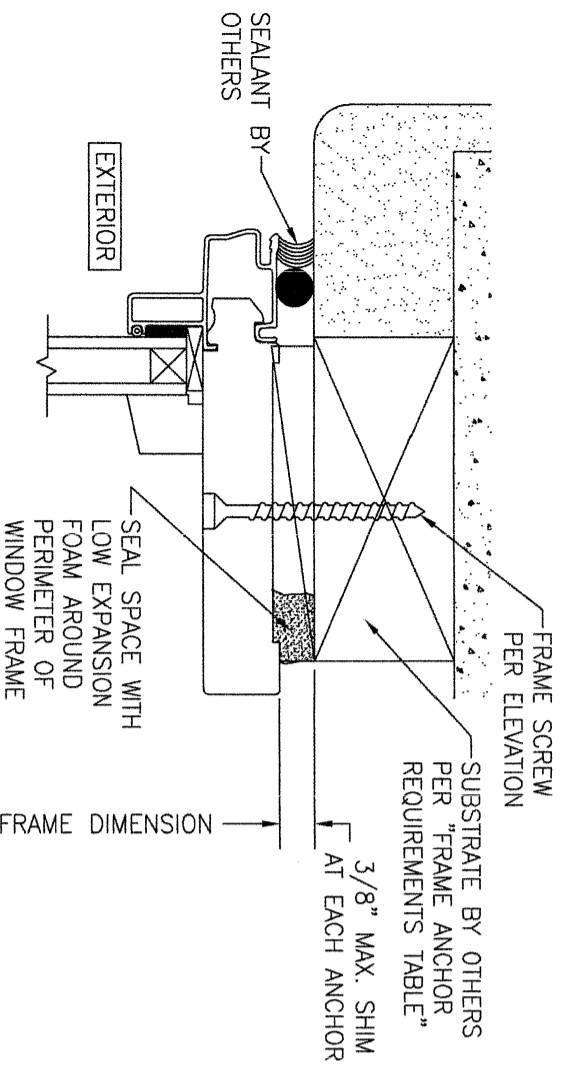
MANUFACTURER



PELLA CORPORATION
102 MAIN STREET
PELLA, IA 50219
641-621-1000

DRAWING NO. 1143
REV. E

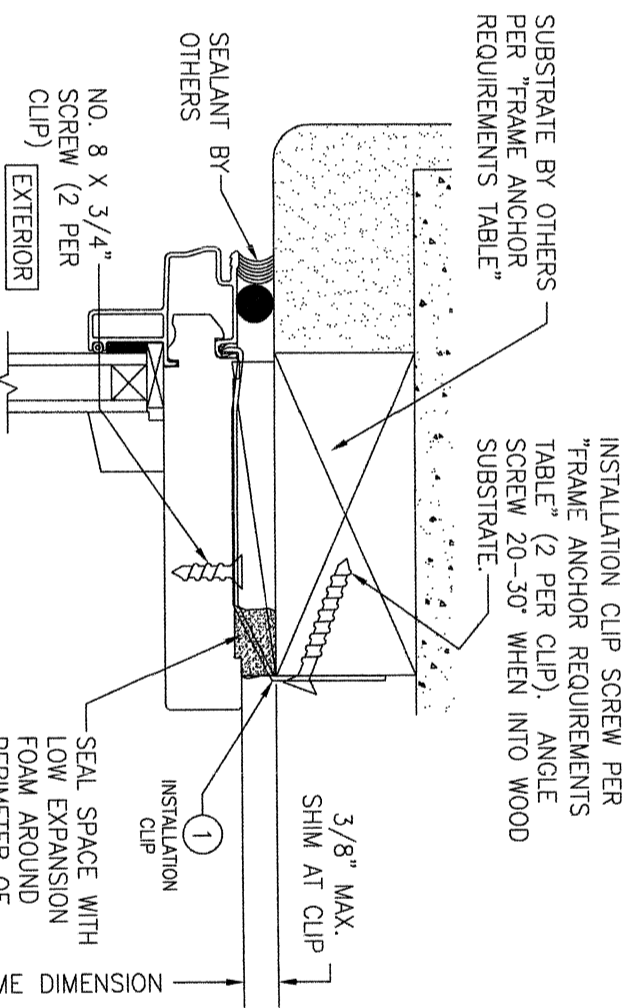
SHEET NO. 1 OF 3



SCALE: 1/2 FULL

SECTION A-2

FRAME SCREW MOUNT SHOWN. SEE DETAILS ON THIS SHEET FOR DIRECT MOUNT & CLIP MOUNT DETAILS.



INSTALLATION CLIP SCREW PER "FRAME ANCHOR REQUIREMENTS TABLE" (2 PER CLIP). ANGLE SCREW 20-30° WHEN INTO WOOD SUBSTRATE.

SEAL SPACE WITH LOW EXPANSION FOAM AROUND PERIMETER OF WINDOW FRAME

3/8" MAX. SHIM AT CLIP

FRAME DIMENSION

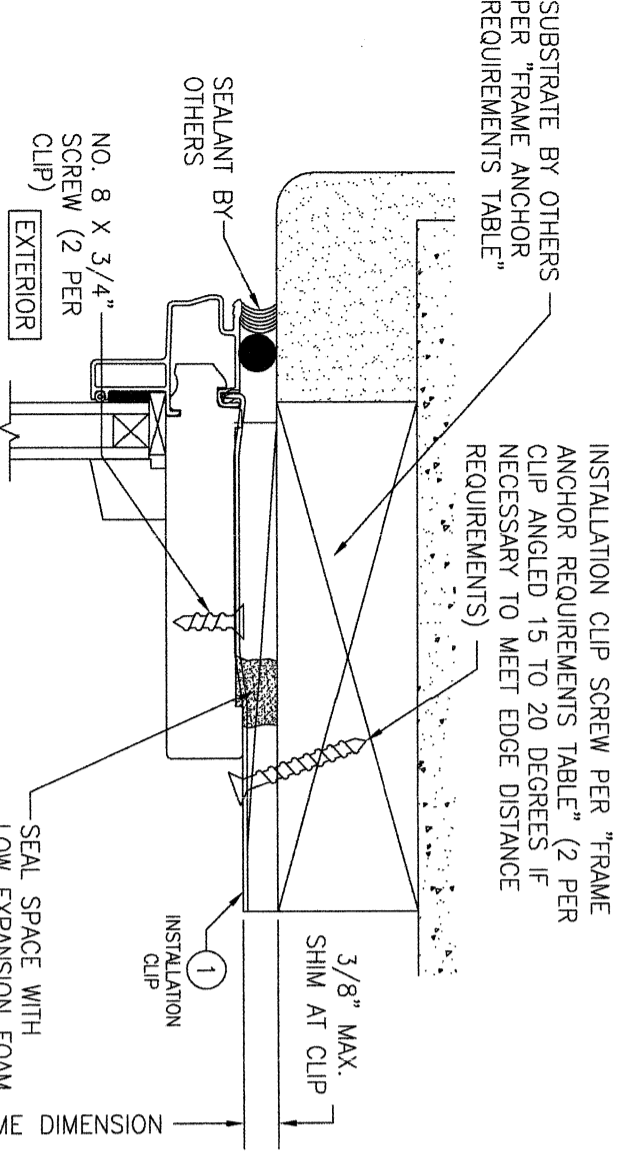
SEALANT BY OTHERS

EXTERIOR

NO. 8 X 3/4" SCREW (2 PER CLIP)

STANDARD INSTALLATION CLIP DETAIL (BENT CLIP CONDITION)

(HEAD SECTION SHOWN; SILL & SIDES ARE INSTALLED THE SAME) (FOR DETAIL NOT SHOWN, SEE OTHER SECTIONS)



INSTALLATION CLIP SCREW PER "FRAME ANCHOR REQUIREMENTS TABLE" (2 PER CLIP ANGLED 15 TO 20 DEGREES IF NECESSARY TO MEET EDGE DISTANCE REQUIREMENTS)

3/8" MAX. SHIM AT CLIP

SEAL SPACE WITH LOW EXPANSION FOAM AROUND PERIMETER OF WINDOW FRAME

FRAME DIMENSION

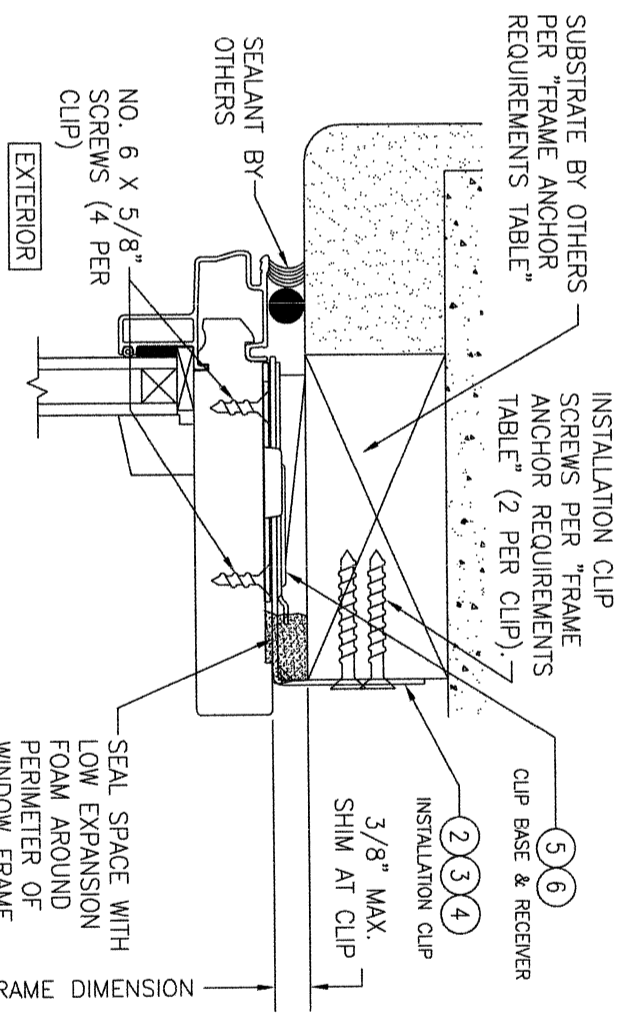
SEALANT BY OTHERS

EXTERIOR

NO. 8 X 3/4" SCREW (2 PER CLIP)

ALTERNATE INSTALLATION CLIP DETAIL (STRAIGHT CLIP CONDITION)

(HEAD SECTION SHOWN; SILL & SIDES ARE INSTALLED THE SAME) (FOR DETAIL NOT SHOWN, SEE OTHER SECTIONS)



INSTALLATION CLIP SCREWS PER "FRAME ANCHOR REQUIREMENTS TABLE" (2 PER CLIP)

CLIP BASE & RECEIVER

3/8" MAX. SHIM AT CLIP

SEAL SPACE WITH LOW EXPANSION FOAM AROUND PERIMETER OF WINDOW FRAME

FRAME DIMENSION

SEALANT BY OTHERS

EXTERIOR

NO. 6 X 5/8" SCREWS (4 PER CLIP)

ALTERNATE 3-PIECE INSTALLATION CLIP DETAIL

(HEAD SECTION SHOWN; SILL & SIDES ARE INSTALLED THE SAME) (FOR DETAIL NOT SHOWN, SEE OTHER SECTIONS)

NOTE: 3-PIECE CLIPS MAY ACT AS SPOT OR FULL REPLACEMENTS OF EITHER THE FRAME SCREWS, STANDARD BENT CLIPS OR STRAIGHT CLIPS. THEREFORE, ANY ONE OR ALL OF THE FRAME SCREWS/CLIPS SPECIFIED IN THE ELEVATION(S) MAY BE REPLACED WITH 3-PIECE CLIPS.

NAIL FIN & JAMB EXTENSIONS ARE NOT SHOWN BUT MAY BE USED IN ADDITION TO ANCHORS SHOWN.

NO.	REVISION DESCRIPTION	BY	DATE



DRAWING TITLE: PELLA NON-IMPACT ALUMINUM CLAD WOOD FIXED FRAME WINDOW (ADVANCED PERFORMANCE INSTALLATION)

CONSULTANTS: W. W. SCHAEFER ENGINEERING & CONSULTING, P.A.
25601 AYSEN DRIVE
PUNTA GORDA, FL 33983
PHONE: 561-744-3424

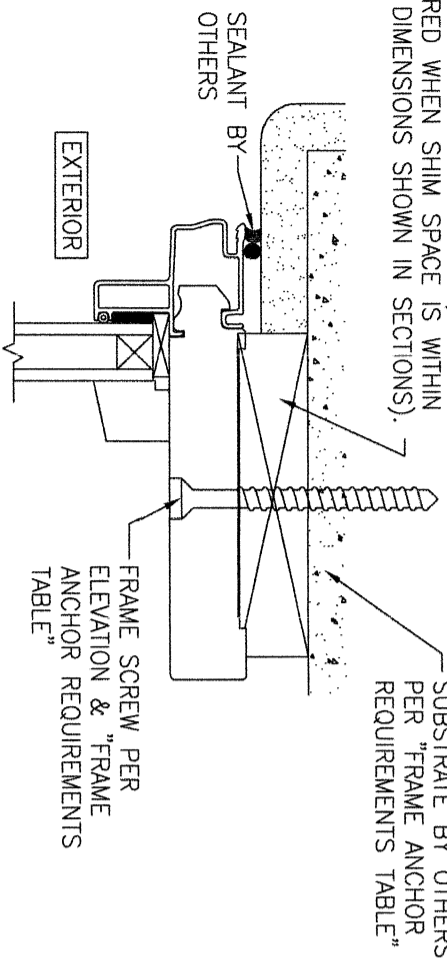
MANUFACTURER: PELLA CORPORATION
102 MAIN STREET
PELLA, IA 50219
641-621-1000

CERTIFICATION: WARREN W. SCHAEFER, P.E.
P.E. NO. 44135

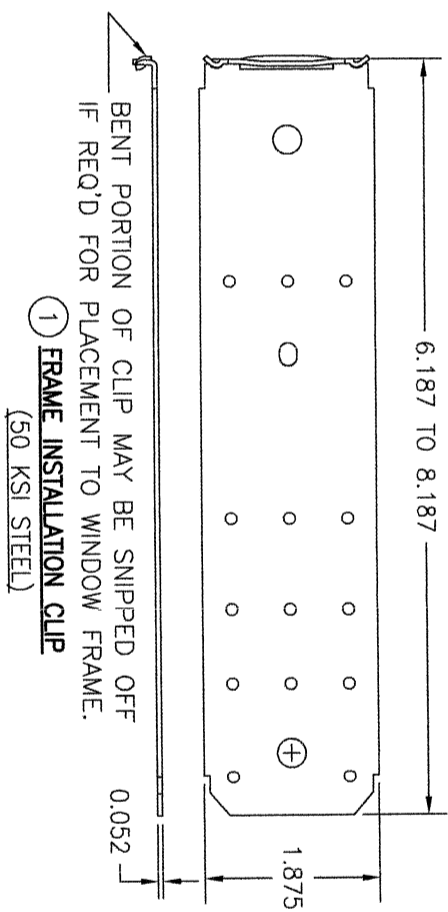
DRAWING NO.: 1143
REV.: E

SHEET NO.: 2 OF 3

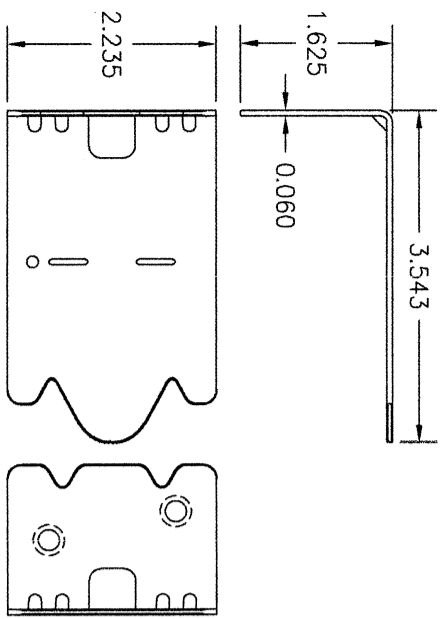
CONTINUOUS WOOD MEMBER LESS IN THICKNESS THAN A 2X BUCK TO BE MIN. 3 1/2" DEEP (NOT REQUIRED WHEN SHIM SPACE IS WITHIN ALLOWABLE DIMENSIONS SHOWN IN SECTIONS).



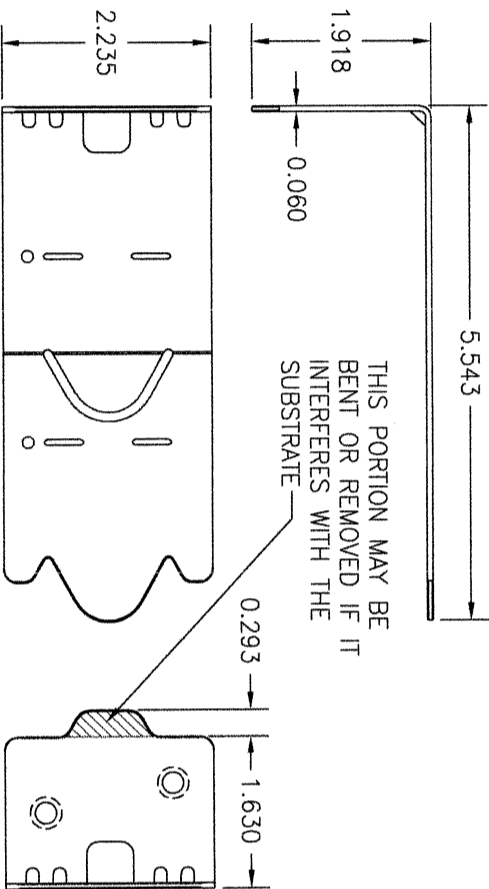
OPTIONAL DIRECT MOUNT DETAIL TO SUBSTRATE WITH SPACER
 (HEAD SECTION SHOWN; SILL & SIDES ARE INSTALLED THE SAME)
 (FOR DETAIL NOT SHOWN, SEE OTHER SECTIONS)



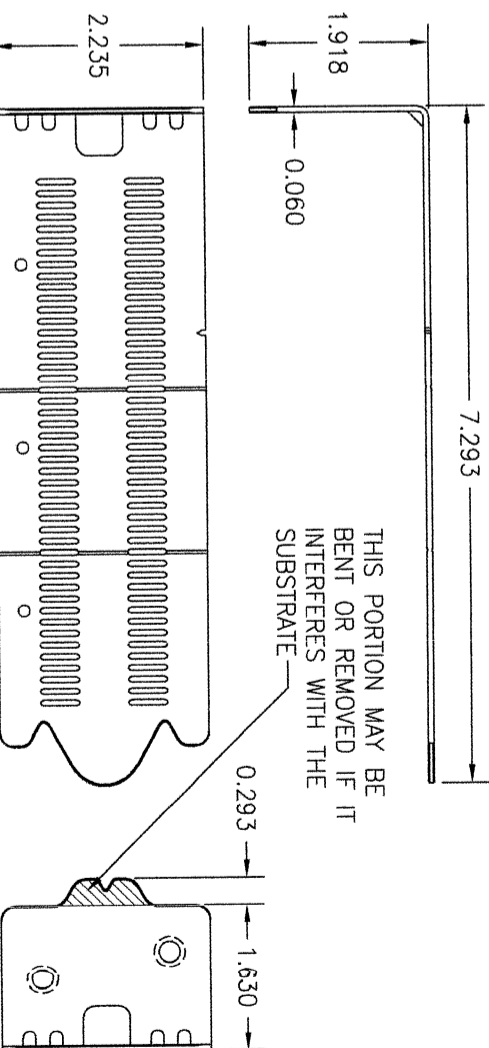
1 FRAME INSTALLATION CLIP
 (50 KSI STEEL)



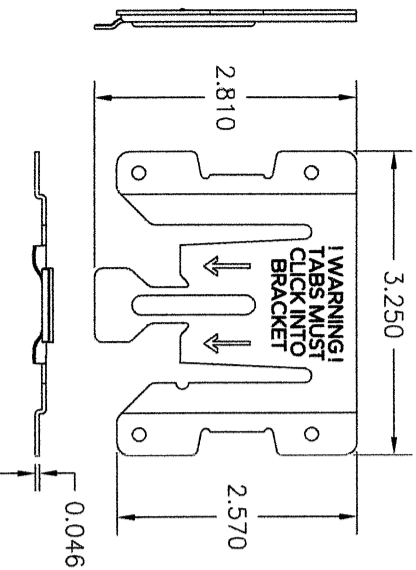
2 FRAME INSTALLATION CLIP
 (50 KSI STEEL)
 SHORT CLIP USED WITH 3-PIECE CLIP SYSTEM (TYPICALLY USED WITH 2X4 BUCK SUBSTRATE)



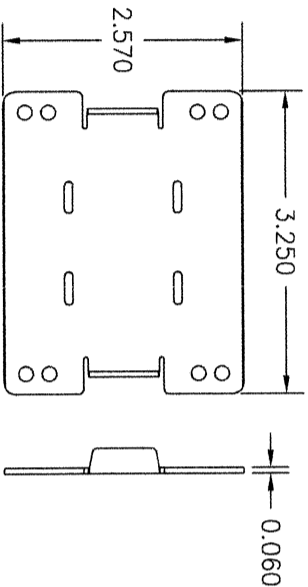
3 FRAME INSTALLATION CLIP
 (50 KSI STEEL)
 LONG CLIP USED WITH 3-PIECE CLIP SYSTEM (TYPICALLY USED WITH 2X6 BUCK SUBSTRATE, BUT MAY ALSO BE USED WITH 2X4)



4 FRAME INSTALLATION CLIP
 (50 KSI STEEL)
 ADJUSTABLE CLIP USED WITH 3-PIECE CLIP SYSTEM



5 3-PIECE CLIP RECEIVER
 (50 KSI STEEL)



6 3-PIECE CLIP BASE
 (33 KSI STEEL)

NO.	REVISION DESCRIPTION	BY	DATE

DRAWN BY: W.R.M.	CHECKED BY: W.M.S.
DATE: 08/18/08	

DRAWING TITLE: **PELLA NON-IMPACT ALUMINUM CLAD WOOD FIXED FRAME WINDOW (ADVANCED PERFORMANCE INSTALLATION)**

CONSULTANTS: **W. W. SCHAEFER ENGINEERING & CONSULTING, P.A.**
 25601 AYSEN DRIVE
 PUNTA GORDA, FL 33983
 PHONE: 561-744-3424

MANUFACTURER: **PELLA CORPORATION**
 102 MAIN STREET
 PELLA, IA 50219
 641-621-1000



CERTIFICATION

WARREN W. SCHAEFER, P.E.
 P.E. NO. 44135

DRAWING NO.: 1143
 REV. E
 SHEET NO. 3 OF 3